

ARISTARCO

CATALOGO PARTI DI RICAMBIO
SPARE PARTS CATALOGUE
CATALOGUE PIECES DETACHEES
ERSATZTEILKATALOG
CATALOGO DE PIEZAS DE RICAMBIO
CATALOGO PEÇAS DE REPOSIÇÃO

MOD. AS 50.35E PRS
Dishwasher basket 50x50
Double skinned
Electronic controls

INFORMAZIONI GENERALI

- A. Il catalogo serve per richiedere con esattezza le parti di ricambi, in base al **MODEL** indicato nella matricola della macchina. Negli ordini indicare la posizione, il codice, la descrizione e la quantità delle parti di ricambio;
- B. I disegni delle parti di ricambio sono indicativi e NON rappresentano il pezzo reale;
- C. I dati contenuti in questo catalogo sono indicativi e possono essere soggetti a modifiche senza preavviso.

GENERAL INFORMATION

- A. This catalog order exactly the right spare parts, according to the **MODEL** indicated on the identification plate of the machine. When ordering, specify the position, the code, the description and the quantity of spare parts;
- B. The spare parts drawings are general and DO NOT represent the real part;
- C. The contents of this catalog are general, and can undergo changes without prior notice.

INFORMATIONS GENERALES

- A. Ce catalogue est utilisé pour commander exactement les pièces détachées, selon le **MODEL** indiqué sur la plaque d'identification de la machine. Les commandes doivent indiquer la position, le code, la description et la quantité des pièces détachées;
- B. Les dessins des pièces détachées sont indicatif, et NE représentent pas le pièces concernée;
- C. Les données de ce catalogue sont citées seulement à titre indicatif et peuvent être l'objet de modifications sans avis préalable.

LETTURA DELLA MATRICOLA MACCHINA

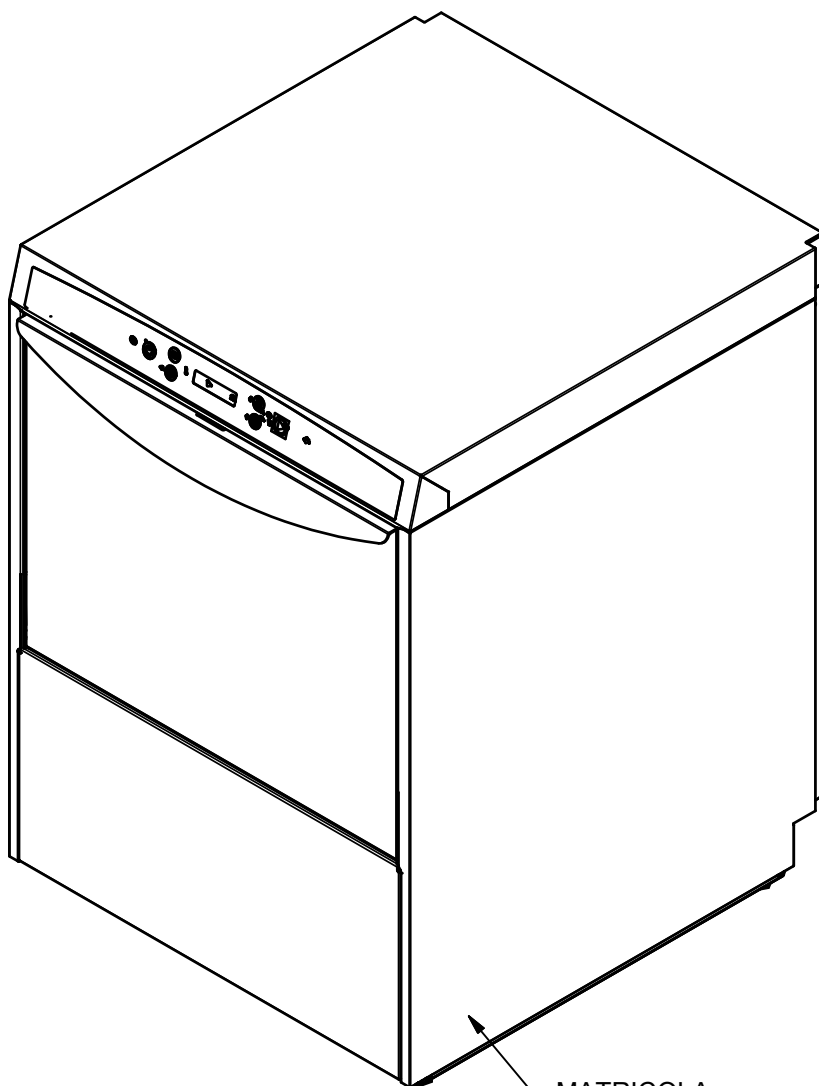
CONSTRUCTION OF MACHINE ID NUMBER

LECTURE DONNÉE DE LA MACHINE

DATI IDENTIFICATIVI
IDENTIFICATION DATA
DONNÉES D'IDENTIFICATION

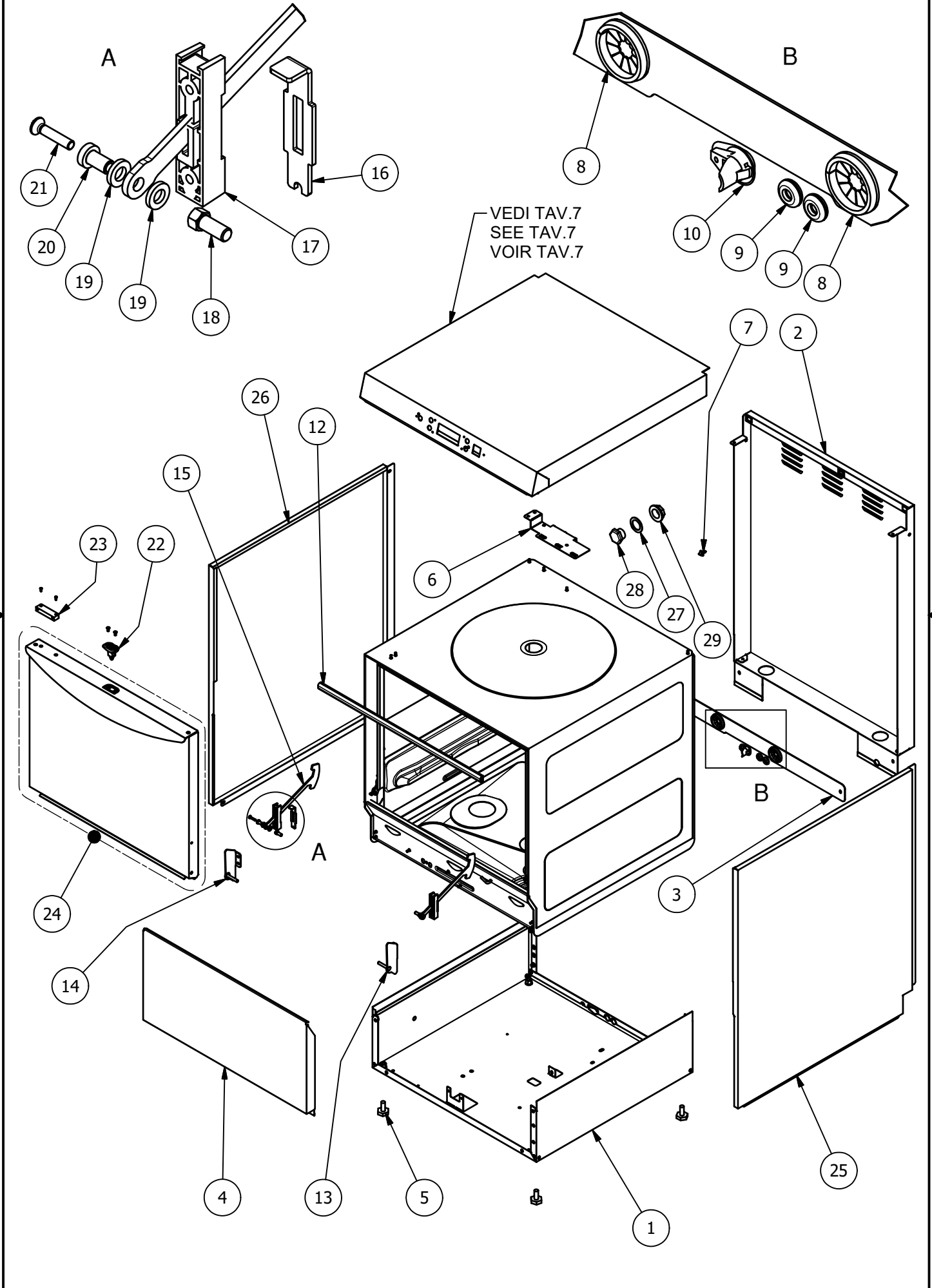
LOGO FABBRICANTE MANUFACTURER LOGO	INDIRIZZO FABBRICANTE MANUFACTURER ADDRESS
MODEL TYPE CODE 1234-123456 SERIAL No. YYYYYYYY ARTICLE	220-240V~50Hz 14A Power 3185 W IP25
WATER SUPPLY 200+500 kPa/MAX 50°C Electronic code: XXXX PW: XXXX	

DATI TECNICI
TECHNICAL SPECIFICATIONS
DONNÉES TECHNIQUES



MATRICOLA
IDENTIFICATION PLATE
PLAQUE D'IDENTIFICATION

TAV 1	CARROZZERIA	BODY	CARROSSERIE
TAV 2	COMPONENTI ELETTRICI	ELECTRICAL COMPONENTS	COMPOSANTS ÉLECTRIQUES
TAV 3	COMPONENTI IDRAULICI	HYDRAULIC COMPONENTS	COMPOSANT HYDRAULIQUES
TAV 4	BRACCI LAVAGGIO / RISCIAQUO	WASH/RINSE ARMS	BRAS DE LAVAGE ET RINÇAGE
TAV 5	POMPA DI SCARICO	DRAIN PUMP	POMPE DE VIDANGE
TAV 6	ADDOLCITORE	WATER SOFTNER	ADOUCESEUR
TAV 7	PANNELLO DI CONTROLLO	FRONT PANEL	PANNEAU DE CONTROLE
TAV 8	POMPA DI LAVAGGIO	WASHING PUMP	POMPE DE LAVAGE
TAV 9	DOSATORE DETERGIVO E BRILLANTANTE	DETERGENT AND RINSE AID DISPENSER	DOSEURS PRODUIT DE LAVAGE ET RINÇAGE

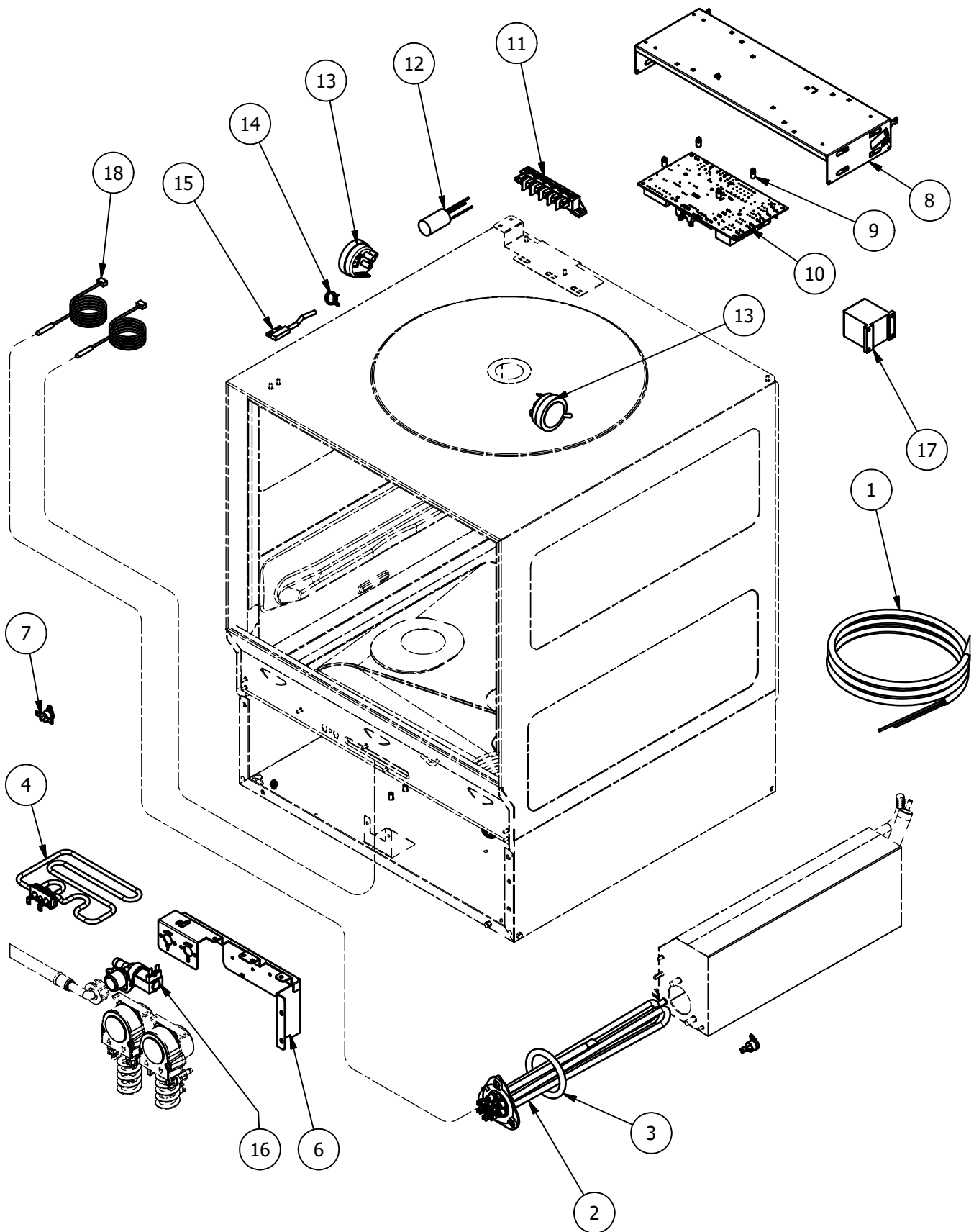


REV.03
(07/2020)AS 50.35E PRS
CARROZZERIA - BODY - CARROSSERIE

TAV.1_2

ELEM.	CODICE	DA/FROM MATR.	DESCRIZIONE	DESCRIPTION [EN]	DESCRIPTION [FR]	U.M.
1	3006-0005		ASS. BASAMENTO	BASE ASSY	ENS. CARTER INFÉRIEUR	No.
2	1640200004		SCHIENALE INTERO	REAR PANEL	PANNEAU ARRIÈRE	No.
3	3012-0004		SCHIENALE INFERIORE	LOWER REAR PANEL	PANNEAU ARRIÈRE INFÉRIEUR	No.
4	1740700004		PANN. SOTTOPORTA INFERIORE	LOWER TRIM PANEL	PANNEAU DE PORTE INFÉRIEUR	No.
5	00006662		PIEDINO REGOLABILE (*)	ADJUSTABLE FOOT (*)	PIED REGLABLE (*)	No.
6	0235400001		STAFFA SUPPORTO PRESS. E MORSETTIERA	PRESSOST. AND TERMINAL BOARD SUPPORT	SUPPORT POUR COMMUTATEUR DE PRESSION ET TERMINAL	No.
7	00015239		CHIUSURA MASCHIO PER FISSAGGIO	MALE PLASTIC LATCH	FERMETURE POUR FIXATION	No.
8	00017100		PASSACAVO RIGIDO	RIGID CABLE GUIDE	GUIDE DU CABLE	No.
9	2005-0005		PASSACAVO PVC	CABLE GUIDE	GUIDE DU CABLE	No.
10	00000612		FERMACAVO	CABLE CLAMP	COLLIER DE SERRAGE CABLE	No.
11	00004084		GUARN. GOMMA EPDM 20x2mm L=565 (*)	EPDM GASKET 20x2mm L=565 (*)	JOINT DU EPDM 20x2mm L=565 (*)	No.
12	00017706		GUARNIZIONE PORTA L=565 (*)	DOOR GASKET L=565 (*)	JOINT DE PORTE L=565 (*)	No.
13	0166300002		ASS. STAFFA DX CERNIERA	RH MOUNTAIN BRACKET ASSY	ENS. LEVIER DE CHARNIÈRE DROITE	No.
14	0166400002		ASS. STAFFA SX CERNIERA	LH MOUNTAIN BRACKET ASSY	ENS. LEVIER DE CHARNIÈRE GAUCHE	No.
15	1200100002		ASTA CERNIERA PORTA	DOOR TENSIONER	TIGE DE LA CHARNIERE	No.
16	0780100002		BATTUTA TIRANTE PORTA	BLOCK FOR DOOR TENSIONER	FERME DU TIGE	No.
17	1120600002		GUIDA TIRANTE PORTA	TENSIONER GUIDE	GUIDE SUPP. CHARNIÈRE PORTE	No.
18	0430800001		PERNO TIRANTE	TENSIONING PIN	TENSIONING PIN	No.
19	0111200001		RONDELLA	DOOR ROD WASHER	RONDELLE	No.
20	1870100002		PERNO CON TESTINA	LINCHPIN	TENSIONING PIN	No.
21	1002-0002		VITE TCPS M4x20 INOX	S.S. M4x20 TCPS SCREW	VIS TCPS M4x20 INOX	No.
22	0161100002		ASS. SCROCCO PORTA (*)	DOOR JACK ASSY (*)	ENSEMBLE PORTE DE SERRURE (*)	No.
23	00005679		UNITA' MAGNETICA RETT. (*)	MAGNETIC UNIT (*)	AIMANT UNIT (*)	No.
24	8307-0019		ASS. PORTA COMPLETA	COMPLETA DOOR ASSY	ENSEMBLE DE PORTE COMPLET	No.
25	3011-0014		FIANCO DX	RIGHT PANEL	PANNEAU DROITE	No.
26	3011-0013		FIANCO SX	LEFT PANEL	PANNEAU GAUCHE	No.
27	00003086		GUARNIZIONE GOMMA	RUBBER GASKET	JOINT	No.
28	2006-0002		TAPPO 3/4" PP	CAP 3/4" PP	BOUCHON 3/4" PP	No.
29	2019-0002		GHIERA 3/4" PP	THREADED RING FOR CAP 3/4" PP	BAGUE POUR BOUCHON 3/4" PP	No.

(*) RICAMBI CONSIGLIATI / RECOMMENDED SPARE PARTS / PIECES DETACHEES RECOMMANDEES

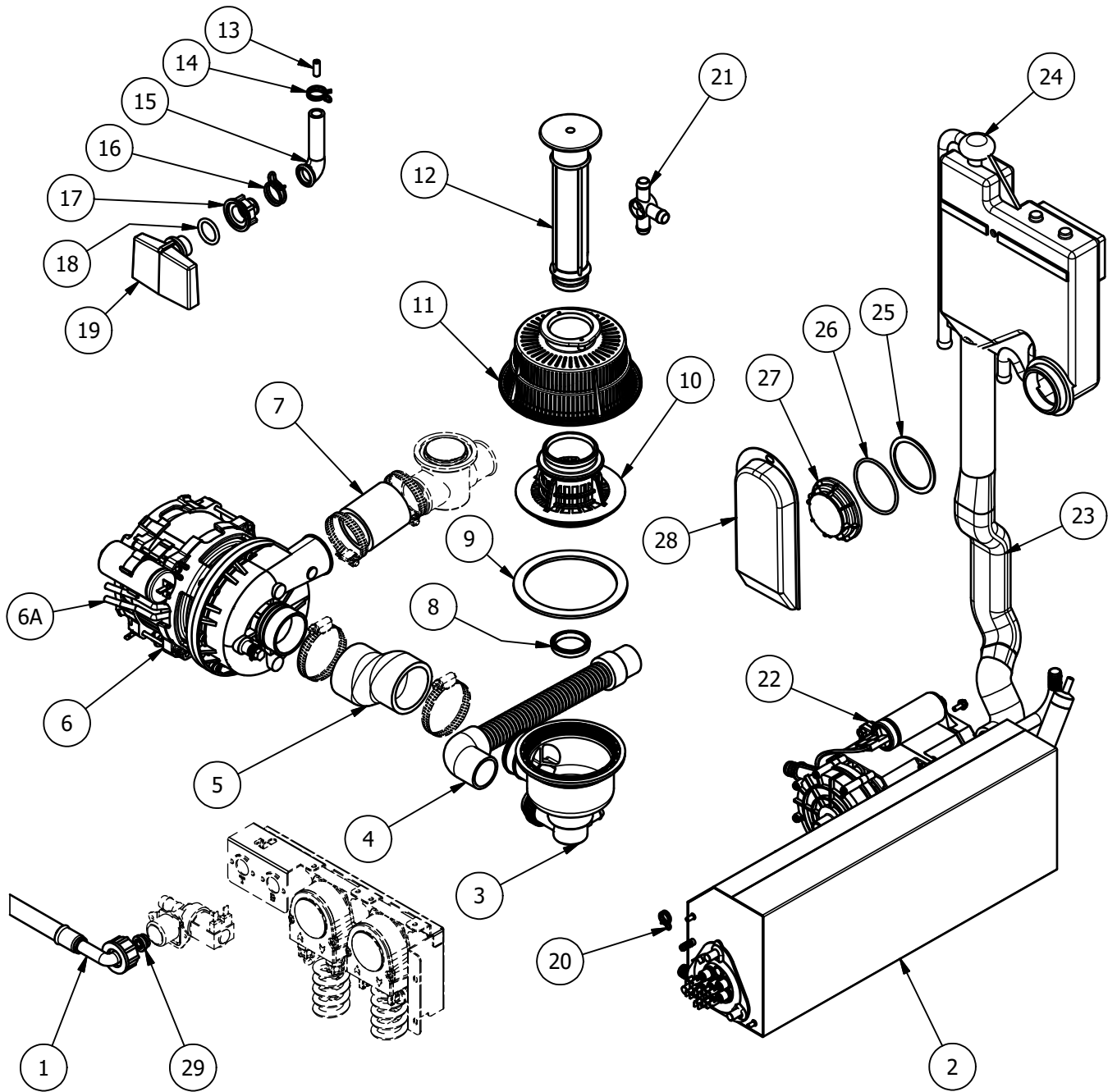


REV.03
(07/2020)AS 50.35E PRS
COMPONENTI ELETTRICI - ELECTRICAL COMPONENTS - COMPOSANT ELECTRIQUES

TAV.2_2

ELEM.	CODICE	DA/FROM MATR.	DESCRIZIONE	DESCRIPTION [EN]	DESCRIPTION [FR]	U.M.
1	0002776		CAVO ALIMENTAZIONE 5G 2.5	POWER CABLE 5G 2.5	CABLE D'ALIMENTATION 5G 2.5	No.
2	4025-0003		RESISTENZA 220-240V / 380-415V - 6kW (*)	RESISTANCE 220-240V / 380-415V - 6kW (*)	RÉSISTANCE 220-240V / 380-415V - 6kW (*)	No.
3	00002662		OR PER FLANGIA BOILER	OR FOR BOILER FLANGE	OR POUR BRIDE DU CHAUDIÈRE (*)	No.
4	0130400001		RESISTENZA 220-240V 2.4kW (*)	RESISTANCE 2,4kW 220-240V (*)	RÉSISTANCE 2,4kW 220-240V (*)	No.
5	00004913		TERMOSTATO BIMETALL. A R.M. (*)	MANUAL RESET SAFETY THERMOSTAT (*)	THERMOSTAT DE SECURITÉ À RÉARM. MANUEL (*)	No.
6	0231400003		SUPPORTO DOSATORI TERMOSTATI	DETERGENT DISPENSER SUPPORT	DOSEUR SOUTIEN	No.
7	4020-0001		TERMOSTATO BIMETALLICO 95° FAST-ON	SAFETY THERMOSTAT 95° FAST-ON	THERMOSTAT DE SECURITÉ 95° FAST-ON	No.
8	0740100001		SUPPORTO ELETTRICO	ELECTRICAL SUPPORT	SUPPORT ELETRIQUE	No.
9	1020-0001		DISTANZIALE SCHEDA ELETTRONICA	SPACER FOR ELECTRONIC TIMER	ESPACEUR DE CARTE ÉLECTRONIQUE	No.
10	4030-0002		SCHEDA ELETTRONICA 12 RELE' (*)	12 RELAYS ELECTRONIC CARDBOARD (*)	CARTE ÉLECTRONIQUE 12 RELAIS (*)	No.
11	4055-0001		MORSETTIERA FV 122 - 40A - 450V	TERMINAL BOARD FV 122 - 40A - 450V	BLOC TERMINAL FV 122 - 40A - 450V	No.
12	00002779		FILTRO ANTIDISTURBO 0,47 uF	FILTER 0,47 uF	FILTRE ANTIPARASITE 0.47 uF	No.
13	00016403		PRESSOSTATO LIVELLO 28/12 (*)	PRESSURE SWITCH 28/12 (*)	PRESSOSTAT DE NIVEAU D'EAU 28/12 (*)	No.
14	00000388		FASCETTA BIFIL. Ø14.4X15.1	CLAMP Ø14.4X15.1	COLLIER Ø14.4X15.1	No.
15	00012685		MICROINTERRUTTORE MAGNETICO (*)	MICRO SWITCH (*)	CAPTEUR MAGNETIQUE OUV. DE PORTE (*)	No.
16	00000394		ELETTROVALV. SING. 90° 230V (*)	SINGLE SOLEN. VALVE 90° 230V (*)	ELECTROV. UNIQUE 90° 230V (*)	No.
17	00005140		TELERUTTORE 230V 50-60Hz	CONTACTOR 230V 50-60Hz	TELERUPETUR 230V 50-60Hz	No.
18	4011-0002		SONDA NTC AMP MODU II PER BOILER/VASCA (*)	NTC PROBE AMP MODU II FOR BOILER/TANK (*)	SONDE NTC AMP MODU II POUR CHAUDIÈRE/RÉSERVOIR (*)	No.

(*) RICAMBI CONSIGLIATI / RECOMMENDED SPARE PARTS / PIECES DETACHEES RECOMMANDEES

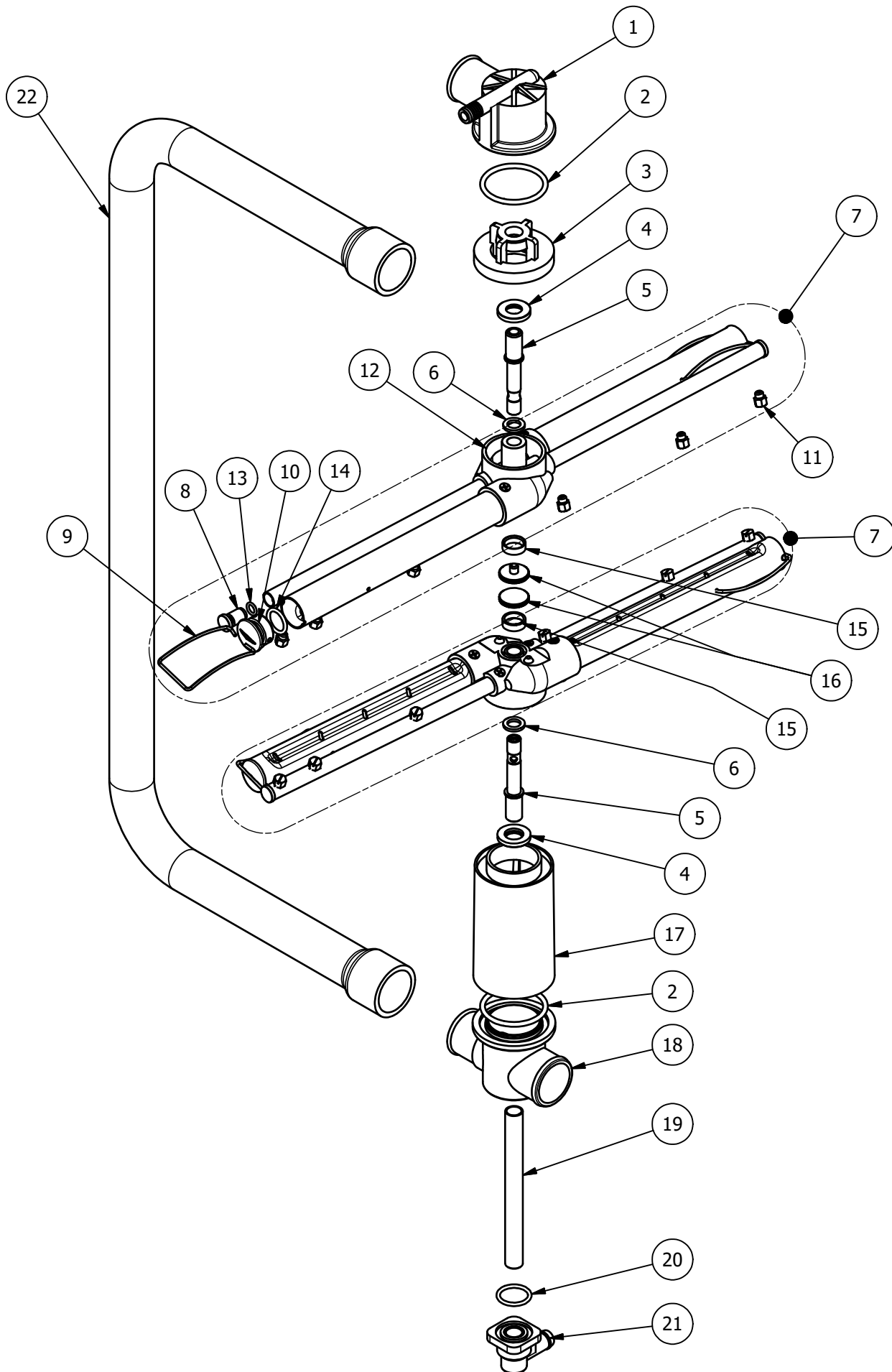


REV.03
(07/2020)AS 50.35E PRS
COMPONENTI IDRAULICI - HYDRAULIC COMPONENTS - COMPOSANT HYDRAULIQUES

TAV.3_2

ELEM.	CODICE	DA/FROM MATR.	DESCRIZIONE	DESCRIPTION [EN]	DESCRIPTION [FR]	U.M.
1	00000139		TUBO CARICO L=2000mm	WATER INLET HOSE L=2000mm	TUYAU D'ENTRÉE L=2000mm	No.
2	8309-0002		ASS. BOILER 5,5 Lt	ASS. BOILER 5,5 Lt	ASS. CHAUDIÈRE 5,5 Lt	No.
3	2050100003		POZZETTO SCARICO ASPIRAZIONE	EXHAUST COCKPIT	PUITS DU FILTRE	No.
4	0271500002		TUBO SCARICO 90° L=2500 mm	DRAIN HOSE L=2500mm	TUYAU DE REFOULEMENT L=2500mm	No.
5	0220100003		MANICOTTO ASPIRAZIONE	SUCTION PUMP SLEEVE	MANCHON D'ASPIRATION	No.
6	6001-0003		POMPA LAVAGGIO 230V 50Hz	WASHING PUMP 230V 50Hz	POMPE DE LAVAGE 230V 50Hz	No.
6A	6001-0007		POMPA LAVAGGIO 230V 60Hz	WASHING PUMP 230V 60Hz	POMPE DE LAVAGE 230V 60Hz	No.
7	3080-0001		MANICOTTO MANDATA POMPA	PUMP DELIVERY SLEEVE	MANCHON DE LIVRAISON	No.
8	000017178		GUARNIZIONE TROPPOPIENO	OVERFLOW GASKET	JOINT DU TROP PLEIN	No.
9	0080600004		GUARNIZIONE POZZETTO	EXHAUST COCKPIT GASKET	JOINT DU PUITS DU FILTRE	No.
10	0235200003		GHIERA GRUPPO FILTRANTE	THREADED RING FOR FILTERING GROUP	BAGUE POUR FILTRE	No.
11	0470900002		FILTRO GRUPPO FILTRANTE	FILTER OF FILTERING GROUP	FILTRE CUVE	No.
12	0320200007		TROPPOPIENO VASCA	OVERFLOW	TROP PLEIN EN PLASTIQUE	No.
13	00002933		TUBETTO TENUTA GABBIA D'ARIA	AIR TRAP JUNCTION	JONCTION POUR TRAPPE D'AIR	No.
14	00000388		FASCETTA BIFIL. Ø14.4X15.1	CLAMP Ø14.4X15.1	COLLIER Ø14.4X15.1	No.
15	00002927		RACCORDO ANTICONDENSA	FITTING	RACCORD ANTI-CONDENSATION	No.
16	00000391		FASCETTA BIFIL. Ø19.6x20.6	CLAMP Ø19.6x20.6	COLLIER Ø19.6x20.6	No.
17	00003536		DADO GABBIA D'ARIA	NUT FOR AIR TRAP	ÉCROU POUR TRAPPE DE L'AIR	No.
18	00002934		OR 4081	OR 4081	OR 4081	No.
19	0480100001		GABBIA D'ARIA VASCA (*)	AIR TRAP (*)	TRAPPE D'AIR (*)	No.
20	1030-0001		FASCETTA BIFIL. Ø 11,0Ø10,4	WIRE CLAMP Ø 11,0Ø10,4	PINCE À DEUX FILS Ø 11,0Ø10,4	No.
21	00004120		DISTRIBUTORE 3 VIE	THREE-WAY DISTRIBUTOR	DISTRIBUTEUR TROIS VOIES	No.
22	00016449		POMPA SUPPL. 0.25kW 230V 50Hz	BOOSTER PUMP 0.25kW 230V 50Hz	POMPE ADD. 0.25kW 230V 50Hz	No.
22A	6002-0001		POMPA SUPPL. 0.25kW 230V 60Hz	BOOSTER PUMP 0.25kW 230V 60Hz	POMPE ADD. 0.25kW 230V 60Hz	No.
23	3040-0032		TUBO CARICO BOILER ATM	CHARGE HOSE BOILER ATM	TUBE DE CHARGEMENT CHAUDIÈRE ATM	No.
24	00015941		AIR BREAK	AIR BREAK	AIR BREAK	No.
25	00015778		GUARNIZIONE PIANA AIR BREAK	PLANAR GASKET AIR BREAK	JOINT PLANAIRE AIR BREAK	No.
26	00015777		ORING AIR BREAK	ORING AIR BREAK	ORING AIR BREAK	No.
27	00015779		GHIERA AIR BREAK	THREADED RING FOR AIR BREAK	BAGUE POUR AIR BREAK	No.
28	00016028		PROTEZIONE	PROTECTION	PROTECTION	No.
29	2020-0002		RID. DI PORTATA 5,5 [L/min]	INLET REG. 5,5 [L/min]	RÉG. DE DÉBIT 5,5 [L/min]	No.

(*) RICAMBI CONSIGLIATI / RECOMMENDED SPARE PARTS / PIÈCES DÉTACHÉES RECOMMANDÉES



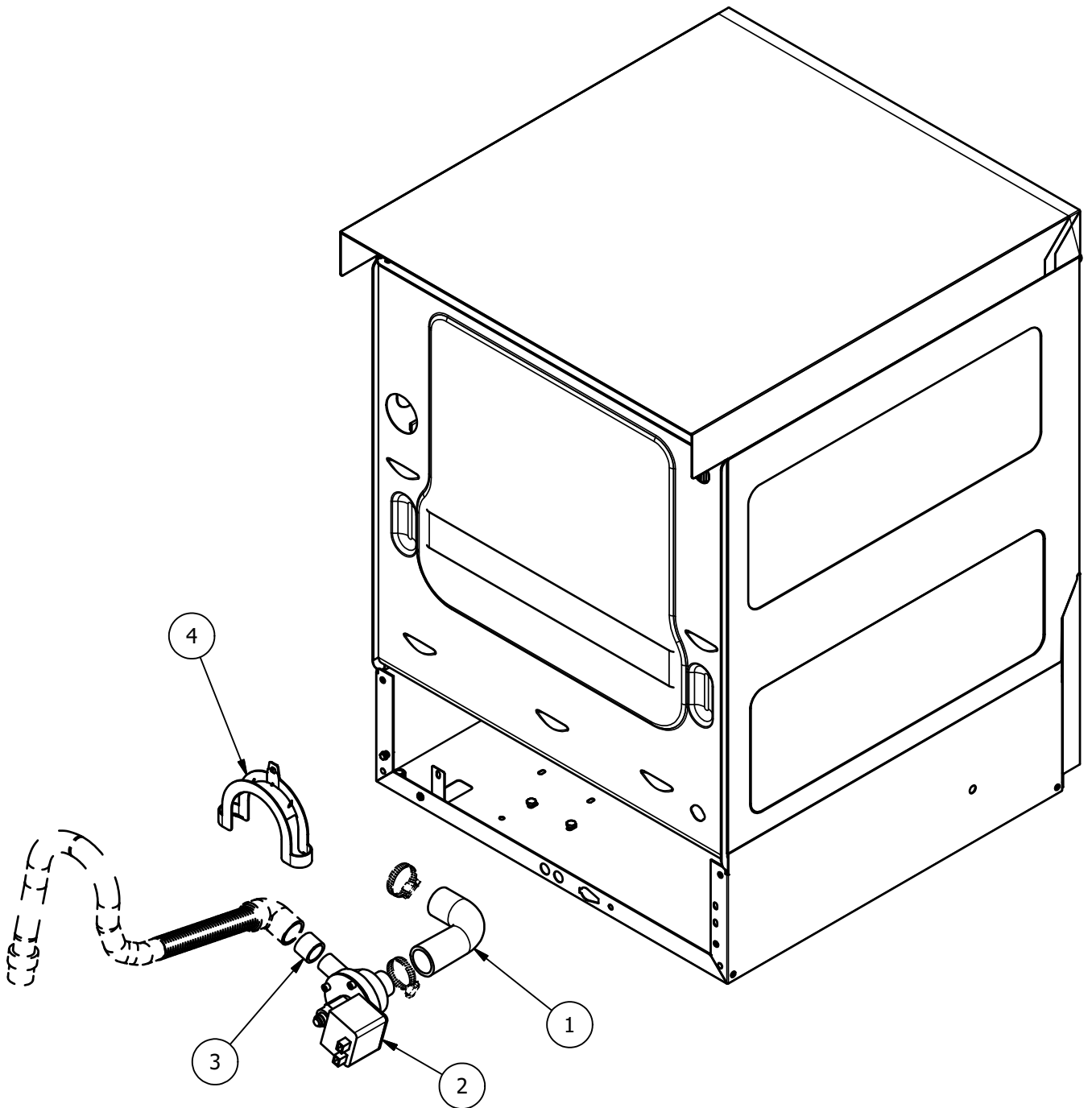
REV.03
(07/2020)

AS 50.35E PRS
BRACCI DI LAVAGGIO/RISCIACQUO - WAS/RINSE ARMS - BRAS DE LAVAGE/RINCAGE

TAV.4_2

ELEM.	CODICE	DA/FROM MATR.	DESCRIZIONE	DESCRIPTION [EN]	DESCRIPTION [FR]	U.M.
1	00003515		CONCHIGLIA SUP. GRIGIO	DRAIN	BONDE	No.
2	00001633		OR 147	OR 147	OR 147	No.
3	00012208		FLANGIA A BOCCAGLIO	FLANGE	BRIDE	No.
4	00004671		RONDELLA DI APPOGGIO	WASHER	RONDELLE D'APPUI	No.
5	00002153		FULCRO CROCIERA	WASHING SHAFT PIN	AXE BRAS LAVAGE	No.
6	00001173		RONDELLA PER GIRANTE (*)	WASHING ARM WASHER (*)	RONDELLE POUR BRAS DE LAVAGE (*)	No.
7	00015517		ASS. GIRANTE LAVAGGIO	WASHING ARM	BRAS DE LAVAGE	No.
8	00002502		TAPPO RISCIACQUO (*)	RINSE ARM PLUG (*)	BOUCHON BRAS DE RINCAGE (*)	No.
9	00002654		MOLLA AD ARCHETTO	SPRING	RESSORT	No.
10	00002650		TAPPO TUBI LAVAGGIO (*)	WASHING ARM CAP (*)	BOUCH. BRAS DE LAVAGE (*)	No.
11	00017155		UGELLO RISCIACQUO INOX	RINSE NOZZLE	GICLEUR RINCAGE	No.
12	00001954		DISTRIBUTORE 4RP (*)	CONNECTOR (*)	CONNECTEUR (*)	No.
13	00002531		OR 106	OR 106	OR 106	No.
14	00000093		OR 121	OR 121	OR 121	No.
15	00002808		ANELLO PTFE (*)	PTFE RING (*)	JOINT EN PTFE (*)	No.
16	00001133		VITE INOX GODRONATA (*)	S.S. KNURLED SCREW (*)	VIS INOX GODRONNE' (*)	No.
17	00004673		COPRITIRANTE	COVER	COUVRE-TIRANT	No.
18	00002149		DISTRIBUTORE DOPPIO LAVAGGIO	DOUBLE WASH DISTRIBUTOR	DISTRIBUTEUR DOUBLE LAVAGE	No.
19	00002154		TIRANTE INFERIORE	FIXING PART	TIRANT INFERIEUR	No.
20	00000025		OR 128	OR 128	OR 128	No.
21	00010620		RACCORDO 90° M13x1	90° M13x1 CONNECTION	RACCORD 90° M13x1	No.
22	1670100004		RAMPA LAVAGGIO	WASH PIPE	TUYAU DE LAVAGE	No.

(*) RICAMBI CONSIGLIATI / RECOMMENDED SPARE PARTS / PIECES DETACHEES RECOMMANDEES



KIT POMPA DI SCARICO COMPLETO - COMPLETE DRAIN PUMP KIT - KIT POMPE DE VIDANGE COMPLET: 8395-0002

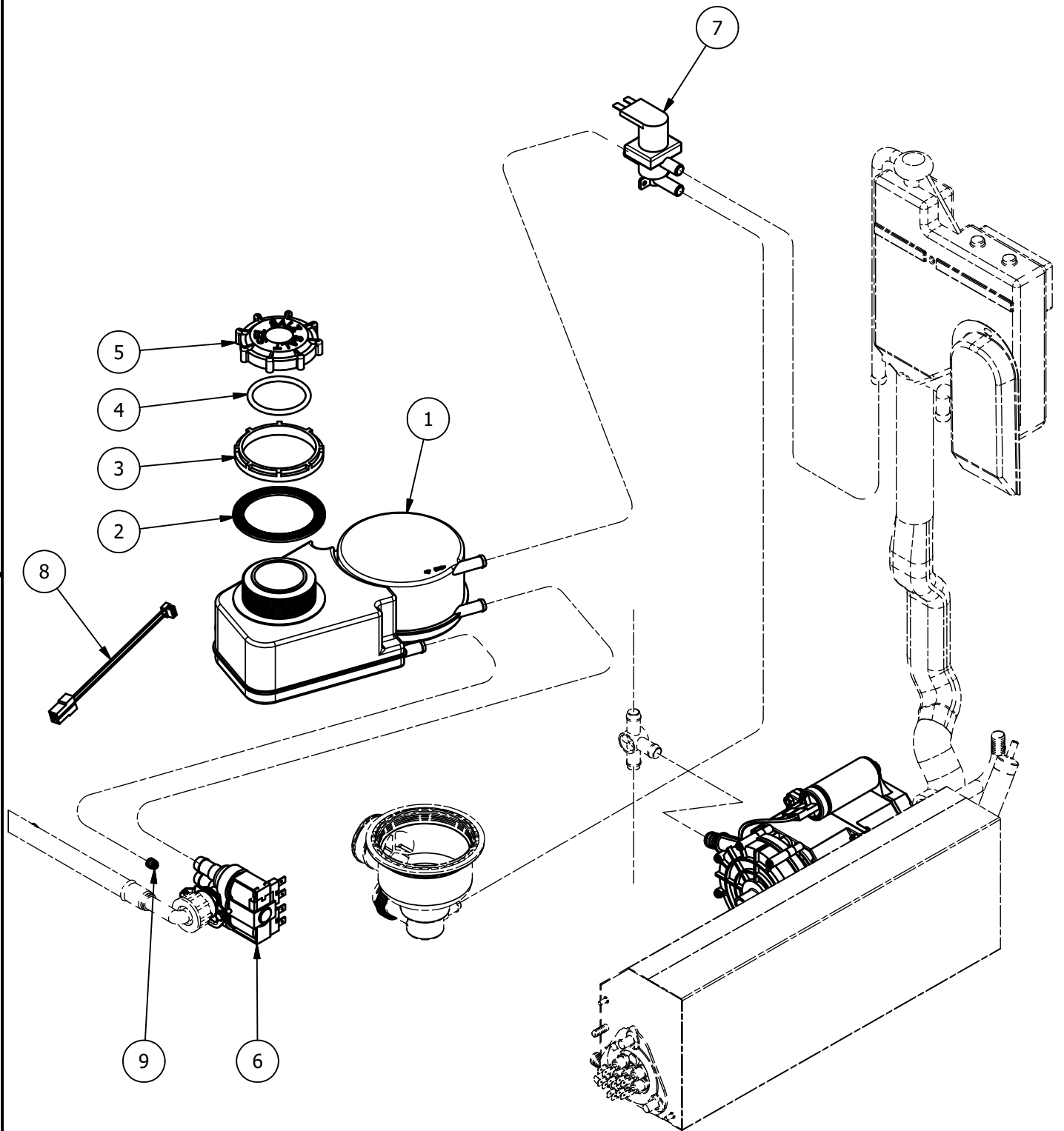
REV.03
(07/2020)

AS 50.35E PRS
KIT POMPA DI SCARICO - KIT DRAIN PUMP - KIT POMPE DE VINDAGE

TAV.5_2

ELEM.	CODICE	DA/FROM MATR.	DESCRIZIONE	DESCRIPTION [EN]	DESCRIPTION [FR]	U.M.
1	00004985		MANICOTTO IN GOMMA	RUBBER HOSE	TUYAU EN GOMME	No.
2	00009563		POMPA DI SVUOTAMENTO 230V 50Hz (*)	DRAIN PUMP 230V 50Hz (*)	POMPE DE VIDANGE 230V 50Hz (*)	No.
2A	6006-0001		POMPA DI SVUOTAMENTO 230V 60Hz (*)	DRAIN PUMP 230V 60Hz (*)	POMPE DE VIDANGE 230V 60Hz (*)	No.
3	3040-0002		TUBO EPDM	EPDM HOSE	TUYAU EN EPDM	No.
4	00016395		CURVA SUPPORTO TUBO SCARICO	DRAIN HOSE SUPPORT	SUPPORT DU TUYAU D'ÉCHAPPEMENT	No.

(*) RICAMBI CONSIGLIATI / RECOMMENDED SPARE PARTS / PIECES DETACHEES RECOMMANDEES



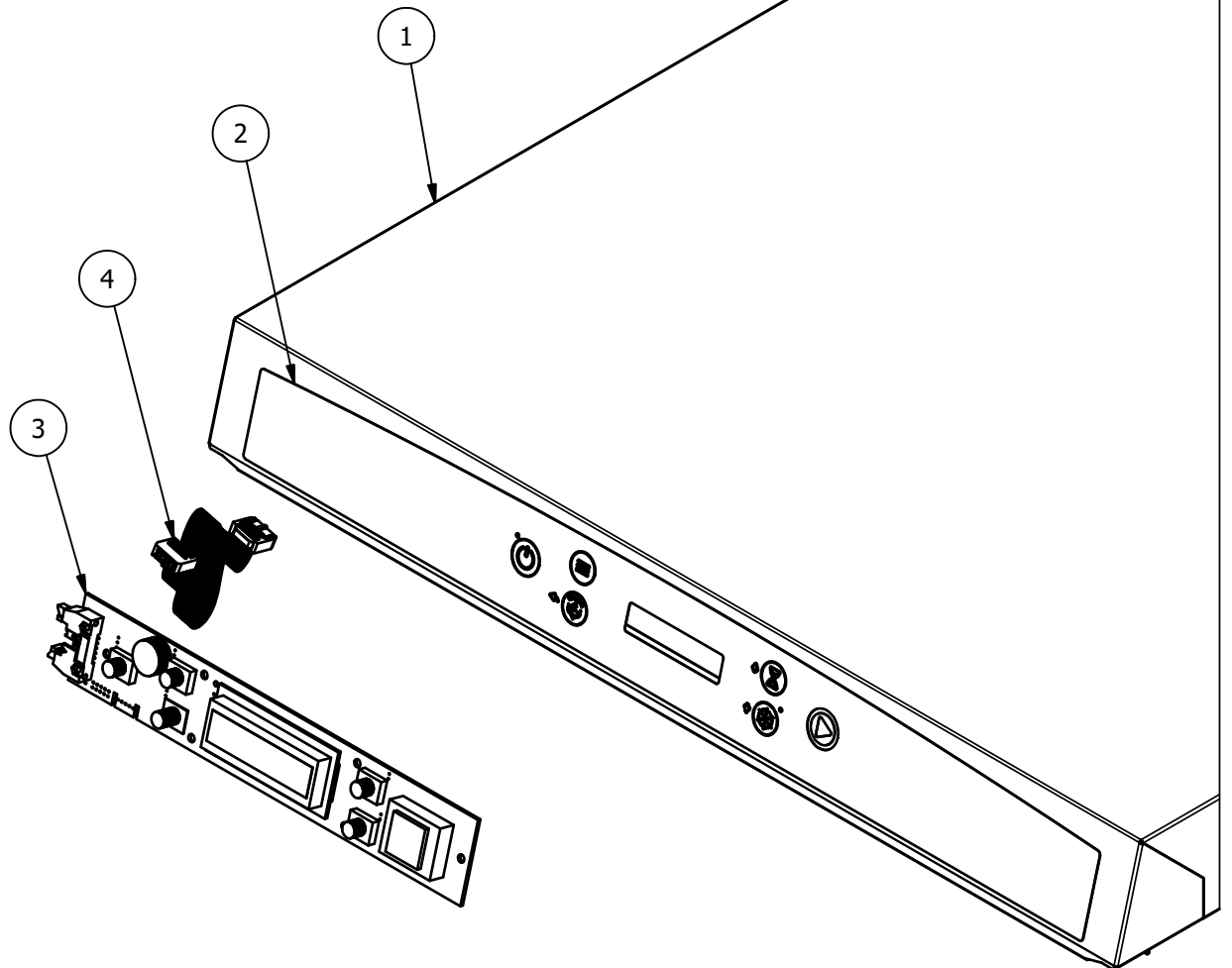
REV.03
(07/2020)

AS 50.35E PRS
ADDOLCITORE - WATER SOFTNER - ADOUCISSEUR

TAV.6_2

ELEM.	CODICE	DA/FROM MATR.	DESCRIZIONE	DESCRIPTION [EN]	DESCRIPTION [FR]	U.M.
1	00017209		ASS. ADDOLCITORE AUTOMATICO	AUTOM. WATER SOFTNER ASSY	ENS. DU L'ADOUCCISSEUR	No.
2	00006152		GUARNIZIONE	GASKET	JOINT	No.
3	2019-0001		GHIERA ADDOLCITORE	THREADED RING OF WATER SOFTNER	BAGUE POUR L'ADOUCCISSEUR	No.
4	2060-0004		OR TAPPO ADDOLCITORE	CAP OR	OR DU CAP	
5	2006-0001		TAPPO ADDOLCITORE	WATER SOFTNER CAP	CAP DU L'ADOUCCISSEUR	No.
6	2017-0001		ELETTROVALVOLA DOPPIA 90° 230V 50/60 Hz (*)	SOLENOID VALVE 90° 230V 50/60 Hz (*)	ÉLECTROVANNE 90° 230V 50/60 Hz (*)	No.
7	00015785		ELETTROV. DOPPIA USCITA (*)	SOLENOID VALVE DOBLE EXIT (*)	ÉLECTROVANNE À DOUBLE SORTIE (*)	No.
8	4040-0003		CAVO COLLEGAMENTO ADDOLCITORE AUTOMATICO	WATER SOFTNER CONNECTION CABLE	CÂBLAGE DU L'ADOUCCISSEUR	No.
9	00006524		RIDUTTORE DI PORTATA USCITA 0.5 L/MIN	FLOW REDUCER 0.5 L/MIN	RÉDUCTEUR DE DÉBIT 0.5 L/MIN	No.

(*) RICAMBI CONSIGLIATI / RECOMMENDED SPARE PARTS / PIÈCES DÉTACHÉES RECOMMANDÉES



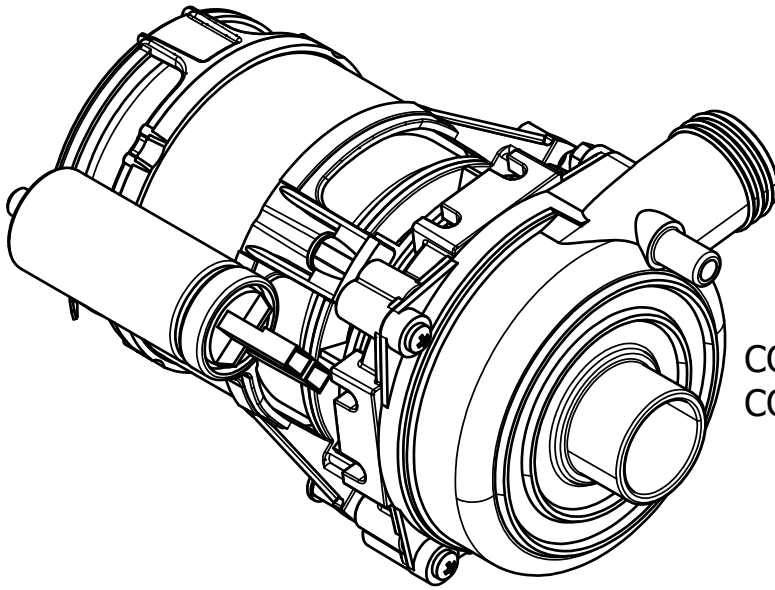
REV.03
(07/2020)

AS 50.35E PRS
PANNELLO COMANDI - FRONT PANEL - PANNEAU DE CONTROLE

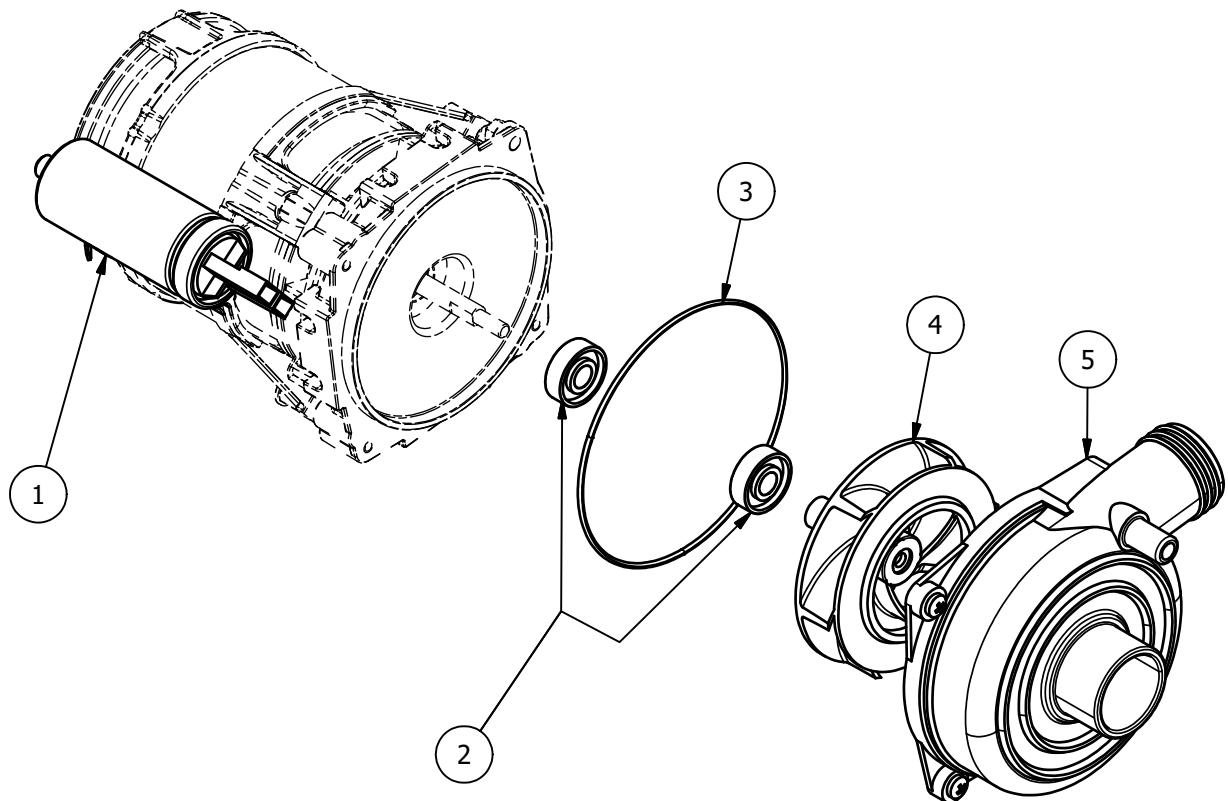
TAV.7_2

ELEM.	CODICE	DA/FROM MATR.	DESCRIZIONE	DESCRIPTION [EN]	DESCRIPTION [FR]	U.M.
1	8302-0005		ASS. CAPOTTINA	UPPER COVER ASSY	ENSEMBLE COUVERCLE SUPÉRIEUR	No.
2	3501-0012		MEMBRANA ADESIVA	ADHESIVE LABEL	MEMBRANE ADHÉSIVE	No.
3	4035-0001		DISPLAY 6 TASTI (*)	6-KEYS DISPLAY (*)	AFFICHAGE À 6 BOUTONS (*)	No.
4	4040-0005		CAVO FLAT 10 FILI (*)	10-WIRES FLAT CABLE (*)	CÂBLE PLAT À 10 FILS (*)	No.

(*) RICAMBI CONSIGLIATI / RECOMMENDED SPARE PARTS / PIECES DETACHEES RECOMMANDEES



COD. 6001-0003 (230V 50Hz)
COD. 6001-0007 (230V 60Hz)



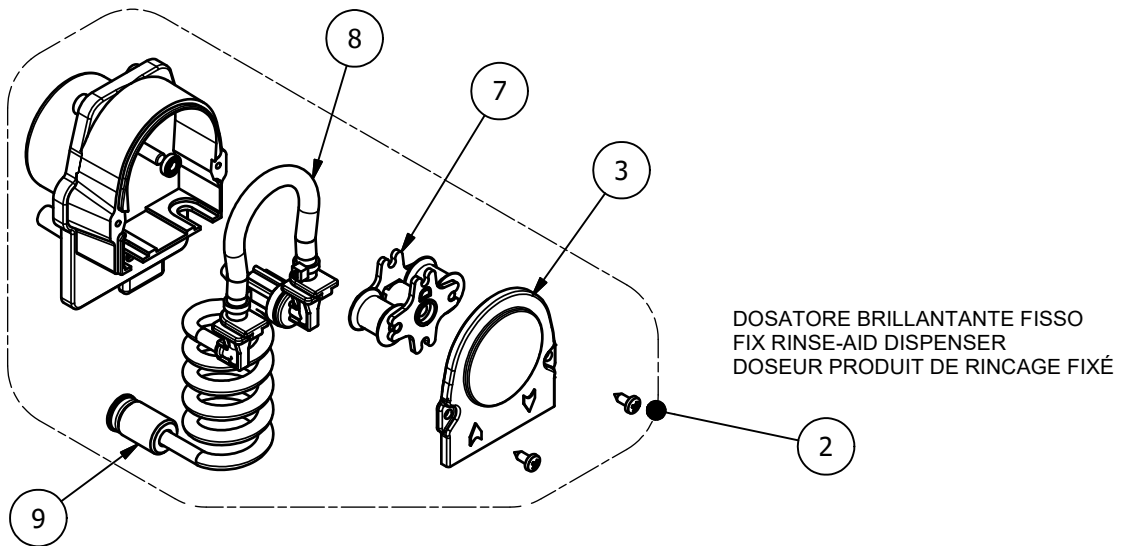
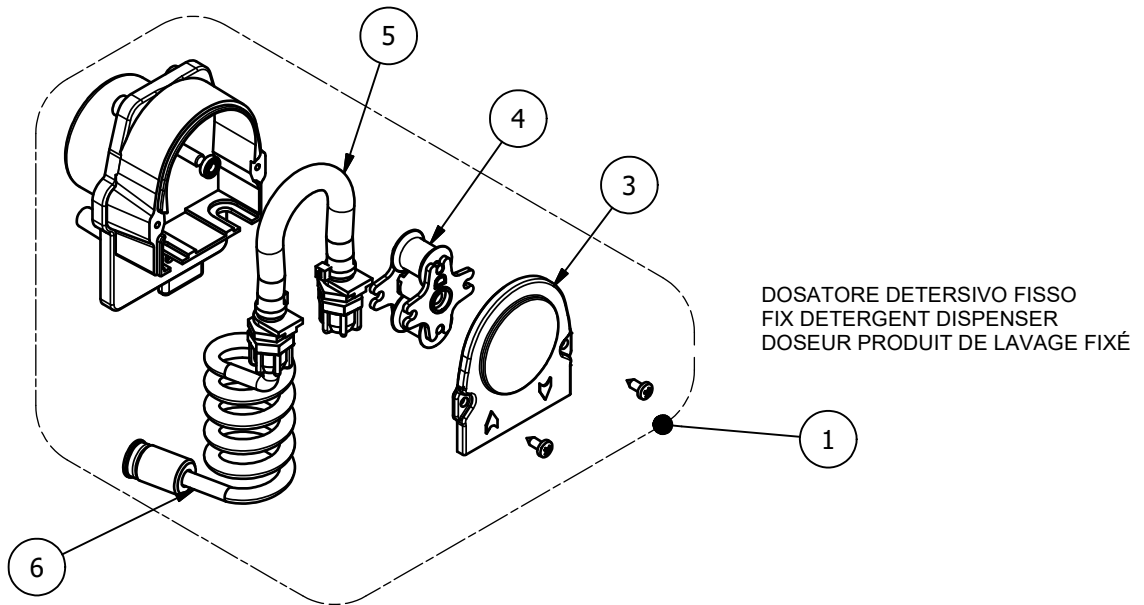
REV.03
(07/2020)

AS 50.35E PRS
POMPA DI LAVAGGIO - WASHING PUMP - POMPE DE LAVAGE

TAV.8_2

ELEM.	CODICE	DA/FROM MATR.	DESCRIZIONE	DESCRIPTION [EN]	DESCRIPTION [FR]	U.M.
1	2080-0001		CONDENSATORE 12.5uF	CAPACITOR 12.5uF	CONDENSATEUR 12.5uF	No.
2	00010783		KIT TENUTA ROTANTE	SEAL KIT	KIT D'ÉTANCHÉITÉ	No.
3	00003492		GUARNIZIONE OR 91,7x1,78 NBR POMPA OLYMPIA (13893) -	GASKET	JOINT	No.
4	00014119		GIRANTE d.88 PER POMPA 50Hz	D.88 IMPELLER FOR 50Hz PUMP	ROUE D.88 POUR 50hZ POMPE	No.
4A	2068-0008		GIRANTE d.75 PER POMPA 60Hz	D.75 IMPELLER FOR 75Hz PUMP	ROUE D.75 POUR 60hZ POMPE	No.
5	2070-0002		CHIOCCIOLA D.93 SX POMPA OLYMPIA (13893) -	PUMP CASE	CARTER POUR POMPE	No.

(*) RICAMBI CONSIGLIATI / RECOMMENDED SPARE PARTS / PIECES DETACHEES RECOMMANDEES



REV.03
(07/2020)

AS 50.35E PRS

DOS. DET. E BRILL. - DETERG. AND RINSE-AID DISPENSER - DOS. PRODUIT DE LAV. ET RINC.

TAV.9_2

ELEM.	CODICE	DA/FROM MATR.	DESCRIZIONE	DESCRIPTION [EN]	DESCRIPTION [FR]	U.M.
1	00016182		ASS. DOS.DETER. ELETTR. FISSO 3Lt/h	FIX DETER. DISPENSER 3Lt/h	DOSEUR PRODUIT DE LAV. FIXE 3Lt/h	No.
2	8395-0011		ASS. DOS. BRILL. ELETTR. FISSO 0.5Lt/h	FIX RINSE AID DISPENSER 0.5Lt/h	DOSEUR RINCAGE FIXE 0.5Lt/h	No.
3	8395-0013		COPERCHIO DI CHIUSURA	COVER ASSY	COUVERTURE DE FERMETURE	No.
4	00006632		ASS. PORTARULLI DOS. DETERSIVO (*)	DETERGENT DISPENSER ROLL HOLDER ASSY (*)	ENSEMBLE SUPPORT DE ROULEAU DOSEUR PRODUIT DE LAV. (*)	No.
5	00017128		TUBO INTERNO DOSAT. DETERSIVO (*)	INTERNAL DETERG. DISPENSER HOSE (*)	TUBE INTERNE POUR DOSEUR PRODUIT DE LAV. (*)	No.
6	00005069		ASS. FILTRO DOSAT. DETERS. CON TUBO	DETERG. DISPENS. FILTER ASSY	ENS. DU FILTRE DU DOSEUR PRODUIT DE LAV. AVEC TUBE	No.
7	8395-0014		ASS. PORTARULLI DOS. BRILL. (*)	RINSE AID DISPENSER ROLL HOLDER ASSY (*)	ENSEMBLE SUPPORT DE ROULEAU DOSEUR RINC. (*)	No.
8	8395-0012		TUBO INTERNO DOSAT. BRILLANTE CON VALV. (*)	INTERNAL RINSE AID DISP. HOSE WITH VALVE (*)	TUBE INTERNE POUR DOSEUR RINC. AVEC VANNE(*)	No.
9	00005070		ASS. FILTRO DOSAT. BRILL. CON TUBO	RINSE AID DISPENS. FILTER ASSY	ENS. DU FILTRE DU DOSEUR RINCAGE AVEC TUBE	No.

(*) RICAMBI CONSIGLIATI / RECOMMENDED SPARE PARTS / PIECES DETACHEES RECOMMANDEES