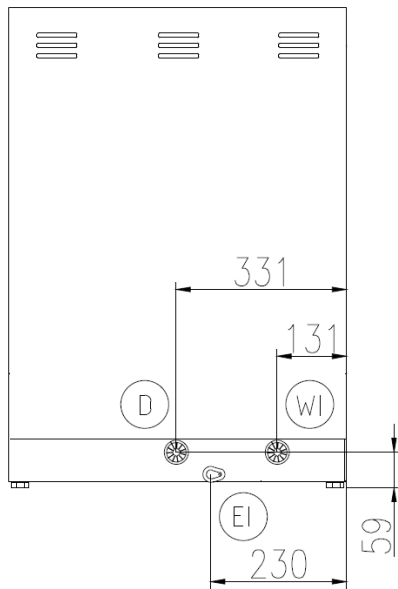
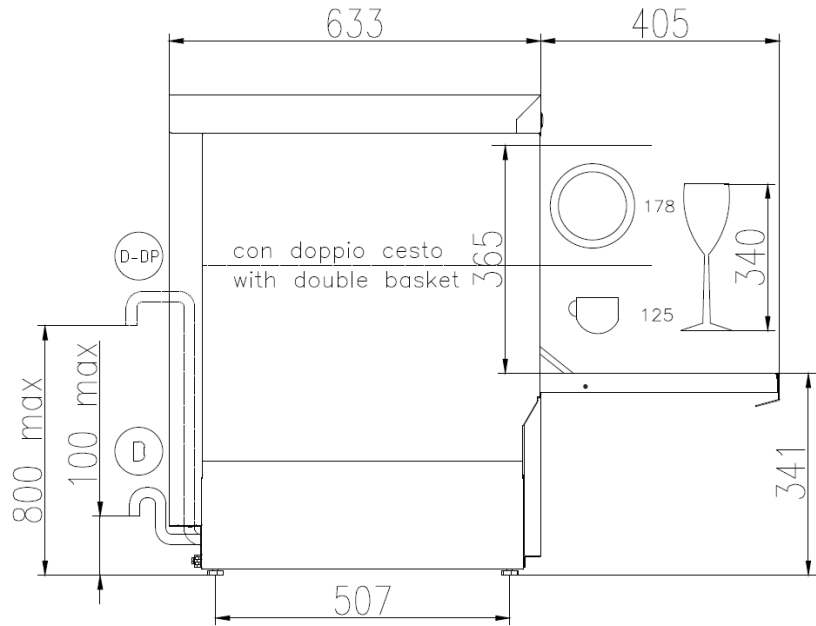
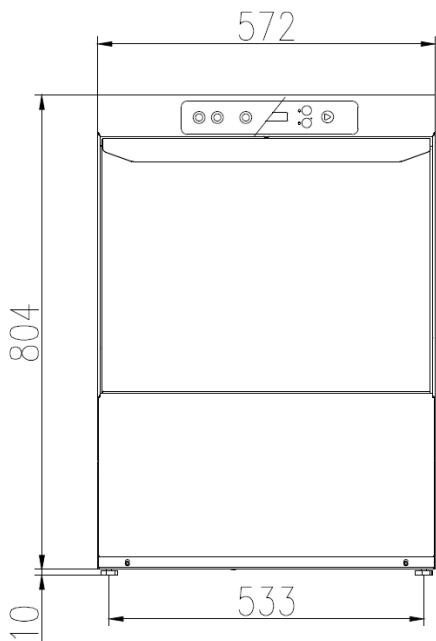


# KASTEL wash

FK 50



- (EI) CAVO DI ALIMENTAZIONE  
POWER CORD SUPPLY  
CABLE D'ALIMENTATION  
CABLE DE ALIMENTACION
- (WI) CANNA DI CARICO G 3/4 L=2000 mm  
G 3/4 INLET HOSE L=2000 mm  
TUYAU D'ALIMENTATION G 3/4" L=2000 mm  
TUBO DE ALIMENTACION G 3/4" L=2000 mm
- (D) TUBO DI SCARICO  $\phi$  29 mm L=2500 mm  
DRAIN HOSE  $\phi$  29 mm L=2500 mm  
TUYAU DE VIDANGE  $\phi$  29 mm L=2500 mm  
TUBO DE DESAGUE  $\phi$  29 mm L=2500 mm
- (D-DP) TUBO DI SCARICO  $\phi$  29 mm L=2500 mm (CON POMPA SCARICO)  
DRAIN HOSE  $\phi$  29 mm L=2500 mm (WITH DRAIN PUMP)  
TUYAU DE VIDANGE  $\phi$  29 mm L=2500 mm (AVEC POMPE DE VIDANGE)  
TUBO DE DESAGUE  $\phi$  29 mm L=2500 mm (CON POMPA DE DESAGUE)

	Min 10°C–MAX 50°C
	Min 10°C–MAX 25°C with ENERGY RECOVERY
	200÷500kPa(2÷5 Bar)
	100÷500kPa(1÷5 Bar) with ATMOSPHERIC BOILER
	HARDNESS 5÷20°f–2.8÷11°d